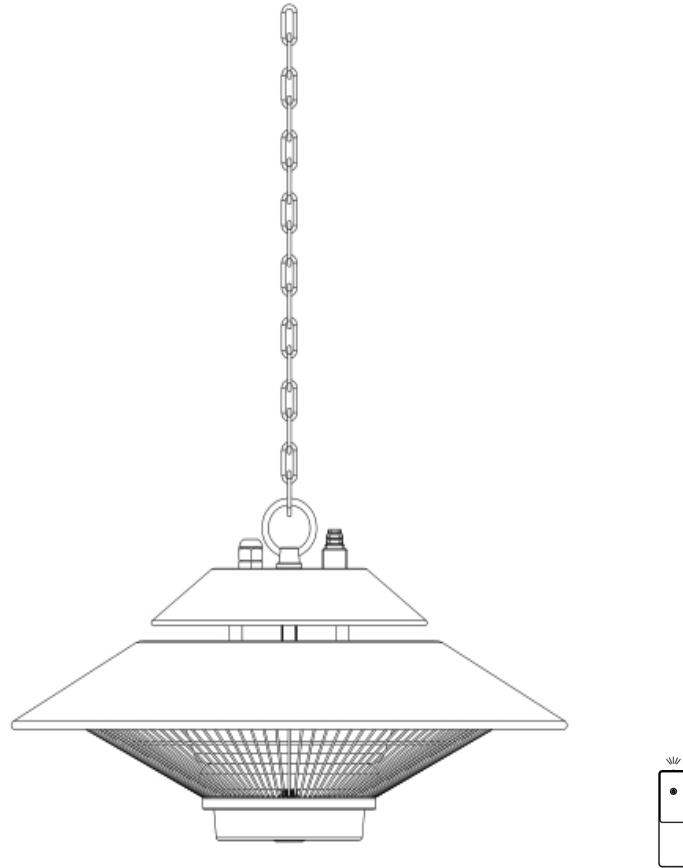


Instruction Manual



Model No.: GS 1500

ASSEMBLE & OPERATION INSTRUCTION

Please read carefully and Save this instruction

Warning

THESE INSTRUCTIONS SHOULD BE READ CAREFULLY AND RETAINED FOR FUTURE REFERENCE,

We cannot be liable for any damages caused by failure to observe these instructions.

IMPORTANT SAFETY INSTRUCTIONS

READ CAREFULLY-The infrared heater is designed for safe operation. Nevertheless, installation, maintenance and operation of the heater can be dangerous. Observing the following procedures will reduce the risk of fire, electric shock, injury to persons and keep installation time to a minimums. Save these instructions for future used.

1. Read all instruction before using this heater.
2. Remove the unit from it's packaging and check to make sure it is in good condition before using.
3. Do not let children play with parts of package (such as plastic bags).
4. Check the household voltage to ensure it matches the heater's rated specification.
5. Check the power cord and plug carefully before used, to make sure that they are not damaged.
6. Before unplugging the power cord, be sure to turn off the power, when energizing the unit, be sure your hands are dry to prevent from electric shock.
7. Do not use flammable objects near or point the heater like furniture, pillows. bedding, paper, clothes and curtains at least 3 feet (1meter) from the front of the heater and keep them always the sides and rear.
8. Do not use near or in the immediate vicinity of a bath or swimming pool or any source of liquid.
9. To protect against electric shock, do not immerse cord or plug in water or any other liquid.
10. Do not insert or allow foreign objects to enter any ventilation or exhaust opening , as this may cause an electric shock, fire or damage to the heater.
11. Always unplug the heater when not in use.
12. Do not allow cord to overhang the counter top where it can be easily pulled by children.
13. Do not put fingers or foreign objects into the grill while in operation.
14. This heater is not intended for use in bathrooms, laundry and similar indoor locations, never located heater where it may fall into a bathtub or other water container.
15. No liability can be accepted for any damage caused by non compliance with these instructions or any other improper use or mishandling.
16. This appliance is not intended for use by persons (including children) with reduces physical, sensory or mental capabilities or lack of experience and knowledge unless they

have been given supervision or instruction concerning the use of the appliance by a person responsible for their safety. Children and vulnerable people should be supervised to ensure they do not play with the appliance.

17. If the supply cord is damaged in any way, it must be replaced by the manufacturer or its service agent or a similarly qualified person in order to avoid a hazard.

18. To prevent overheating of this appliance, keep the air inlets and outlets clean and free of anything that may cause blockage. Check all inlets and outlets from time to time to ensure it is clear of any dirt or dust accumulation. DO NOT COVER.

19. Parts of the heater may exceed 200°C, contact with the heating tube, reflector, or metal parts near the heating tube, may cause severe BURNS. To avoid burns, do not let bare skin touch hot surface.

20. NEVER place hands under the heating elements. ALWAYS allow heating element to cool at least 10 minutes before touching the heating tube or adjacent parts.

21. This product contains recyclable materials. Do not dispose this product as unsorted municipal waste. Please contact your local municipality for the nearest collection point.

22. Infrared Heater is for household use only.

23. This appliance can be used by children aged from 8 years and above and persons with reduced physical, sensory or mental capabilities or lack of experience and knowledge if they have been given supervision or instruction concerning use of the appliance in a safe way and understand the hazards involved.

24. Children shall not play with the appliance. Cleaning and user maintenance shall not be made by children without supervision.

25. The heater must be installed at least 1,8 m above the floor.

26. The heater must not be located immediately below a socket-outlet.

Introduction

The SUNDEAR GS 1500 infrared heaters produce instant and comfortable heat like the sun. These robust and weatherproof heaters are designed for domestic heating applications within indoor and outdoor areas.

Model	GS 1500
Voltage(V)	220-240V AC
Wattage(W)	1500W
Dimensions W×H×D(mm)	425*425*250
Weight(KG)	2.36

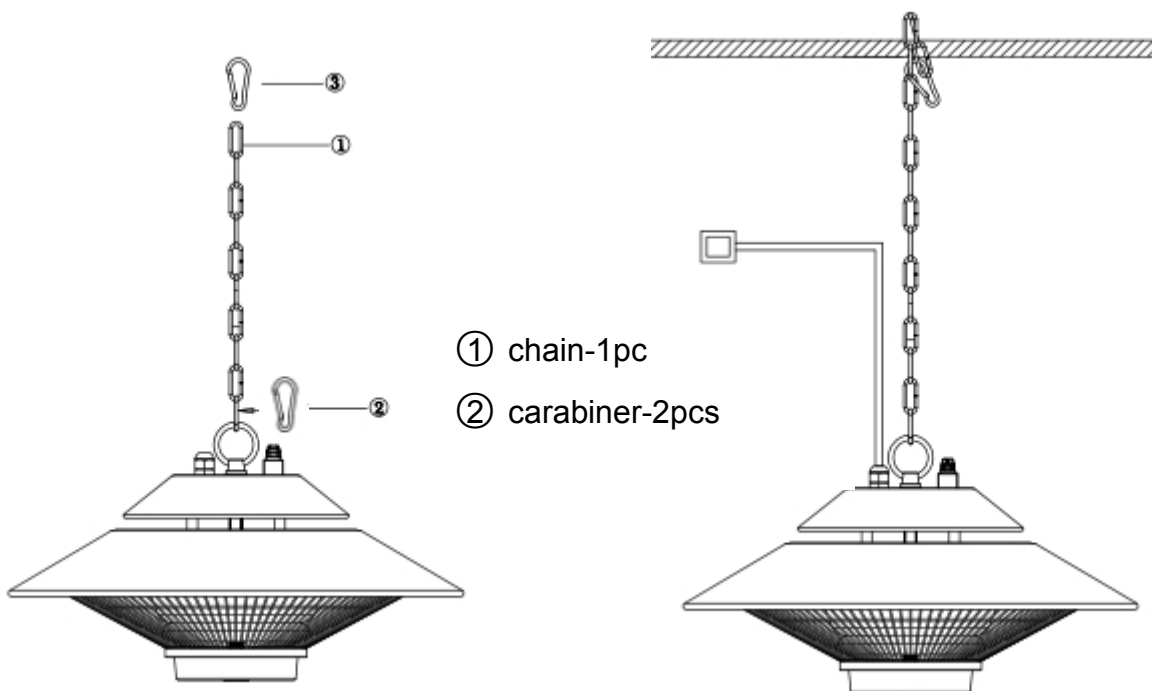
INSTALLATION

Important: Ensure that the supply cables is well mounted and that it does not come into contact with reflector of the heater or that does not trail into heated area.

- 1.This heater should be installed by a competent person, i.e. a qualified electrician.
- 2.Always disconnected the heater from the electricity supply and allow it to cool before installation.
- 3.This heater can be heat directly.
- 4.The supply cable must be at the lower end of the heater if the heater is installed at an angle or vertically.
- 5.Keep the supply cord away from the body of the heater which will get hot during use.
- 6.Do not install the heater on an inflammable surface.
- 7.Observe the minimum safe distance between the heater body and the inflammable surfaces when mounted.
- 8.If the heater is to be used outside, a weatherproof outlet is recommended.
- 9.Before drilling ensure that there are no wires or water pipes in the area where the heater is to be installed.
- 10.The heater must be installed on the mounting chain provided.
- 11.Fasten the chain securely to the mounting surface.
- 12.Fasten the heater securely on the chain.

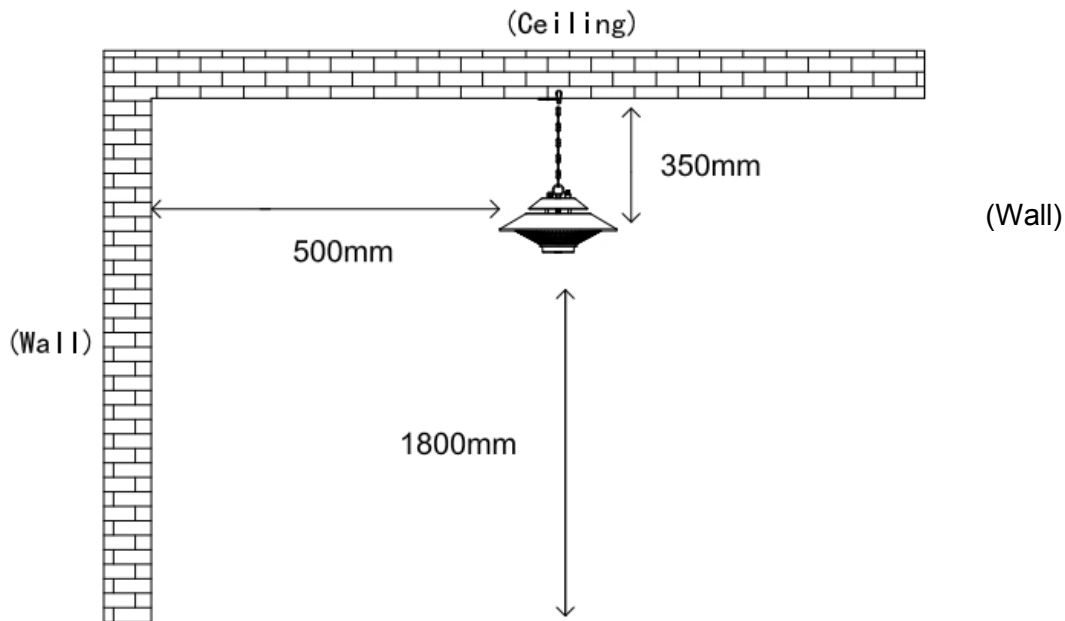
Installation steps:

1st Connect the chain and connecting ring with a carabiner. (as shown in Fig.1) 2nd Hang the chain on the rail and then lock it with a carabiner. (as shown in Fig.2)



Requirements of Installation:

1. Keep 350 mm distance from heater to ceiling.
2. Keep at least 500 mm distance between heater and surrounding.
3. Keep at least 1800 mm height from heater to ground.



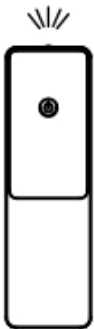
Warning:

Before install the heater, make the support rail enough durable and firm, and make the hanging chain always tautly and the supply cord will never be stressed.

Before using the heater, make it's mounted tightly on the support rail

Remote Control Instructions

1. **POWER BUTTON:** Turn the heater ON/OFF



Noted: All SUNDEAR heaters and their remote controls have the same frequency, so it is possible to control several heaters with just one remote.

PUSH SWITCH: turn on the switch on the top of heater, then remote the heater on and off, without remote control, the heater will not operated, if you missing remote control, please contact local dealer for replacement

Inserting Batteries(not included)

Insert 2 AAA/ Alkaline type batteries into your remote control

1. Flip the backside of your remote control and pull out battery cover. Insert the batteries in accordance with the instructions and polarity the batteries.
2. Change the batteries in the same way depicted above.

Troubleshooting

1. Check if the power cord is plugged into an electrical outlet, if not, plug in.
2. Check if electricity to the main fuse is working

CLEANING AND MAINTENANCE

Regular and careful cleaning helps your infrared heater operate efficiently for many trouble free years. To clean your heater follow steps below:

1. Unplug the power cord for your safety before cleaning your appliance.
2. Make sure the heater is cool before continuing.
3. To keep the heater clean, the outer shell maybe cleaned with a soft, damp cloth. You may use a mild detergent if necessary. After cleaning, dry the unit with a soft cloth. (CAUTION: DO NOT let liquids enter the heater).
4. DO NOT use alcohol, gasoline, abrasive powders, furniture polish or rough brushes to clean the heater. This may cause damage or deterioration to the surface of the heater.
5. DO NOT immerse the heater in water
6. Wait until the heater is completely dry before use.

Storage: Store the heater in a cool, dry location when not in use to prevent dust and dirt build up. Use packaging carton to store.

ATTENTION:

1. Always disconnect the heater from the electricity supply and allow it to cool before attempting to work on it.
2. If the heater has collected dust or dirt inside the unit or around the heating element, have to unit cleaned by a qualified service agent. Do not operate the heater in this condition.
3. The only maintenance required is cleaning of the external surfaces of the heater.
4. Do not touch the heating element with bare fingers, as residue from your hand could affect the life of the lamp. If it is accidentally touched, remove the finger marks with a soft cloth moistened with mentholated spirit or alcohol.
5. Do not attempt to repair or adjust any electrical or mechanical functions on this heater.
6. The heater contains no user serviceable parts. Should the product suffer damage or breakdown, it must be returned to the manufacturer or its service agent.
7. Damaged supply cords to be replaced by the manufacturer, service agent or similarly qualified person in order to avoid hazard.

RECYCLING

At the end of the electrical products useful life it should not be disposed of with household waste.

Please recycle where facilities exist. Check with your Local Authority or retailer for recycling advice in your country.