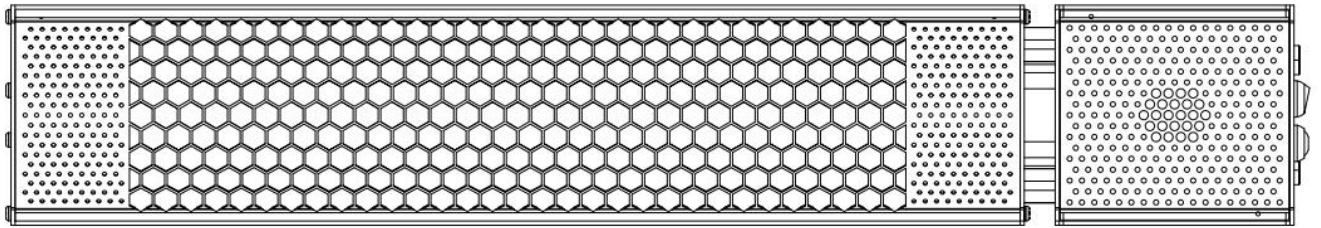


INSTRUCTION MANUAL



Model no.: XD-Y

220-240V 2000W

ASSEMBLE & OPERATION INSTRUCTION

Please read carefully and Save this instruction for future reference

Introduction

The infrared heater contains an HELEN LAMP formed reflector heating system that provides even heat distribution.

The infrared heater saves 30%-40% of electricity in comparison to traditional heaters. The infrared heater is commonly used for indoor or outdoor spot heating. Perfect for garages, outdoor patios, indoor pools or workshops.

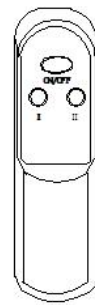
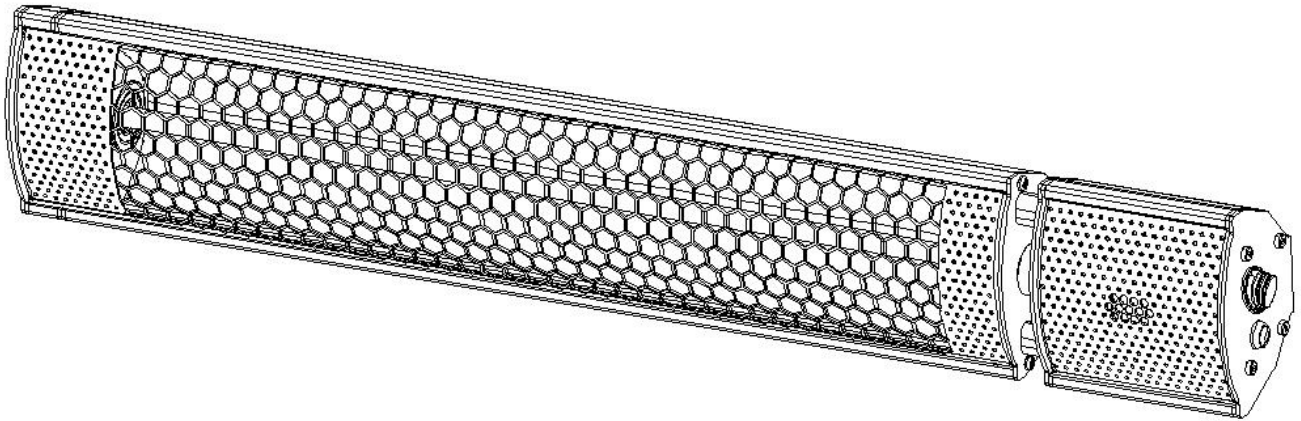
Warning

READ CAREFULLY-The infrared heater is designed for safe operation. Nevertheless, installation, maintenance and operation of the heater can be dangerous. Observing the following procedures will reduce the risk of fire, electric shock, injury to person and keep installation time to a minimum. Save these instructions for future use.

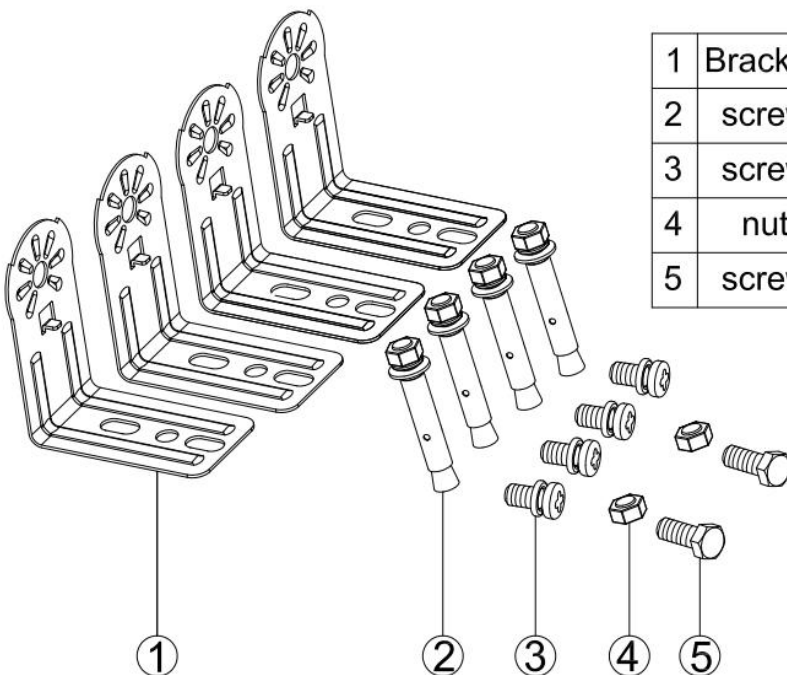
1. Read all instruction before using this heater.
2. Remove the unit from its packaging and check to make sure it is in good condition before using.
3. Do not let children play with parts of package (such as plastic bags)
4. Check the household voltage to ensure it matches the heater's rated specification.
5. Check the power cord and plug carefully before used, to make sure that they are not damaged
6. Before unplugging the power cord, be sure to turn off the power, when energizing the unit, be sure your hands are dry to prevent from electric shock.
7. Do not use flammable objects near or point the heater like furniture, pillows, bedding, paper, cloths and curtains at least 3 feet (1meter) from the front of the heater and keep them always the sides and rear.
8. Do not use near or in the immediate vicinity of a bath or swimming pool or any source of liquid
9. To protect against electric shock, do not immerse cord or plug in water or any other liquid.
10. Do not insert or allow foreign objects to enter any ventilation or exhaust opening , as this may cause an electric shock, fire or damage to the heater.
11. Always unplug the heater when not in use.
12. Do not allow cord to overhang the counter top where it can be easily pulled by children.
13. Do not put fingers or foreign objects into the grill while in operation .
14. Do not leave the appliance unattended when in use.
15. This heater is not intended for use in bathrooms, laundry and similar indoor locations, never located heater where it may fall into a bathtub or other water container.
16. No liability can be accepted for any damage caused by non compliance with these instructions or any other improper use or mishandling.
17. This appliance is not intended for use by persons (including children) with reduced physical, sensory or mental capabilities or lack of experience and knowledge unless they have been given supervision or instruction concerning the use of the appliance by a person responsible for their safety. Children and vulnerable people should be supervised to ensure they do not play with the appliance.
18. If the supply cord is damaged in any way, it must be replaced by the manufacturer or its service agent or a similarly qualified person in order to avoid a hazard.
19. To prevent overheating of this appliance, keep the air inlets and outlets clean and free of anything that may cause blockage. Check all inlets and outlets from time to time to ensure it is clear of any dirt or dust accumulation.
20. Parts of the heater may exceed 200°C, Contact with the heating tube, reflector, or metal parts near the heating tube, may cause severe BURNS . To avoid burns, do not let bare skin touch hot surface.
21. ALWAYS allow heating element to cool at least 10 minutes before touching the heating tube or adjacent part
22. This product contains recyclable materials. Do not dispose this product as unsorted municipal waste. Please contact your local municipality for the nearest collection point.

WARNING : NEVER place hands under the heating elements.

ASSEMBLY INSTRUCTIONS



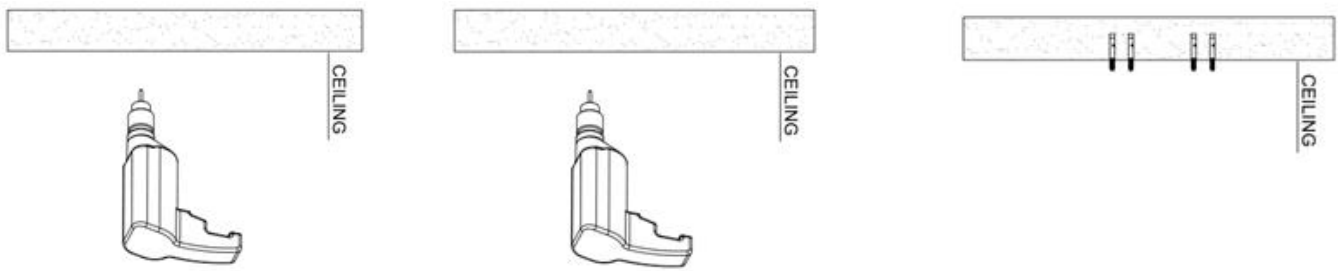
Installation Accessories :



1	Bracket	L shape	4PCS
2	screw	M6mm*60mm	4PCS
3	screw	M5mm*10mm	4PCS
4	nut	M6mm	2PCS
5	screw	M6mm*12mm	2PCS

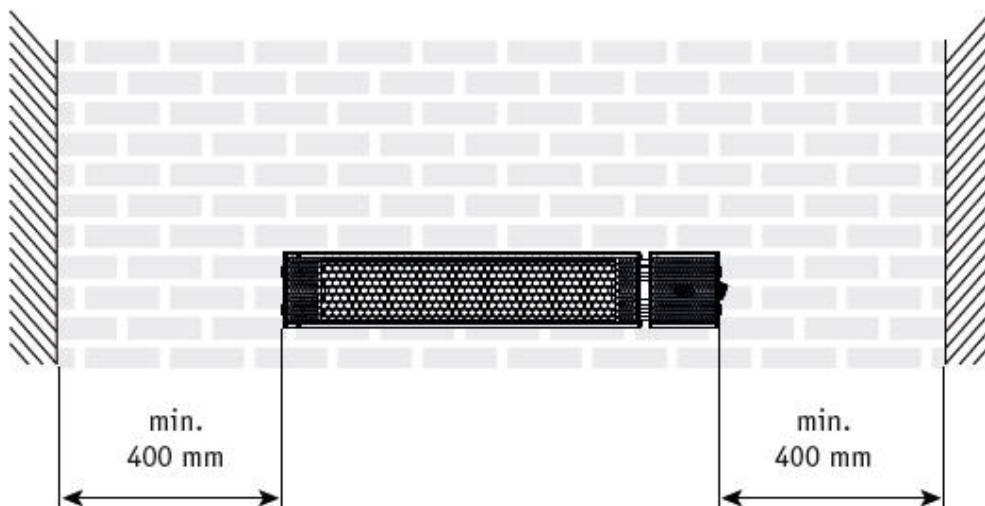
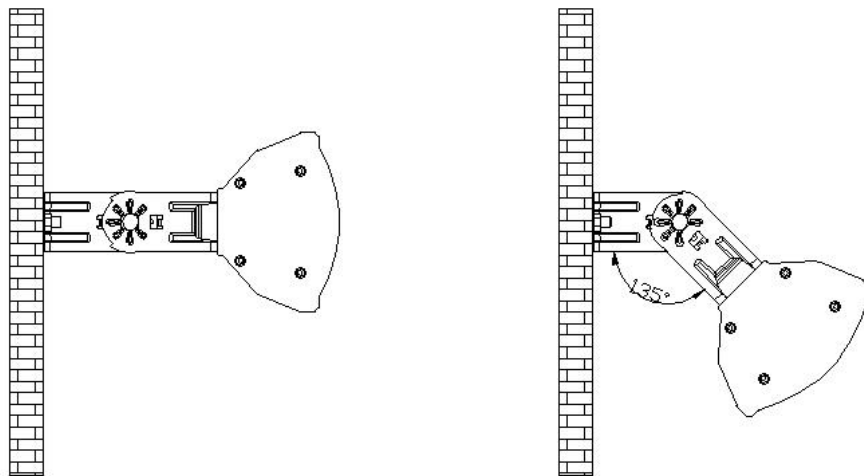
Tools Needed:

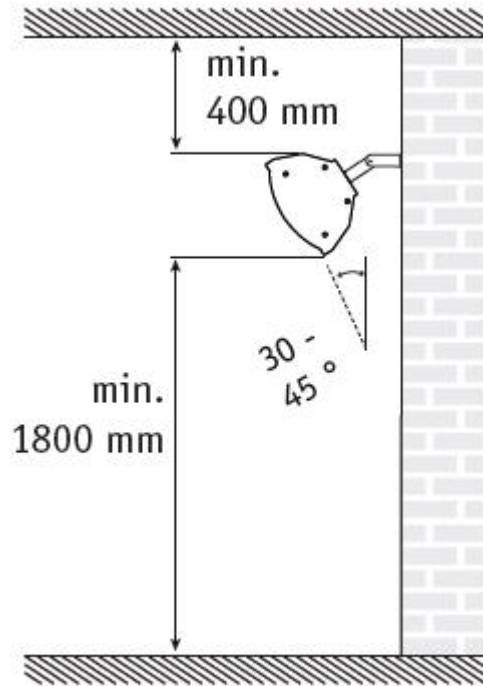
- * Pencil
- * Hammer
- * Level
- * Screw Driver
- * Power Drill and drill bits



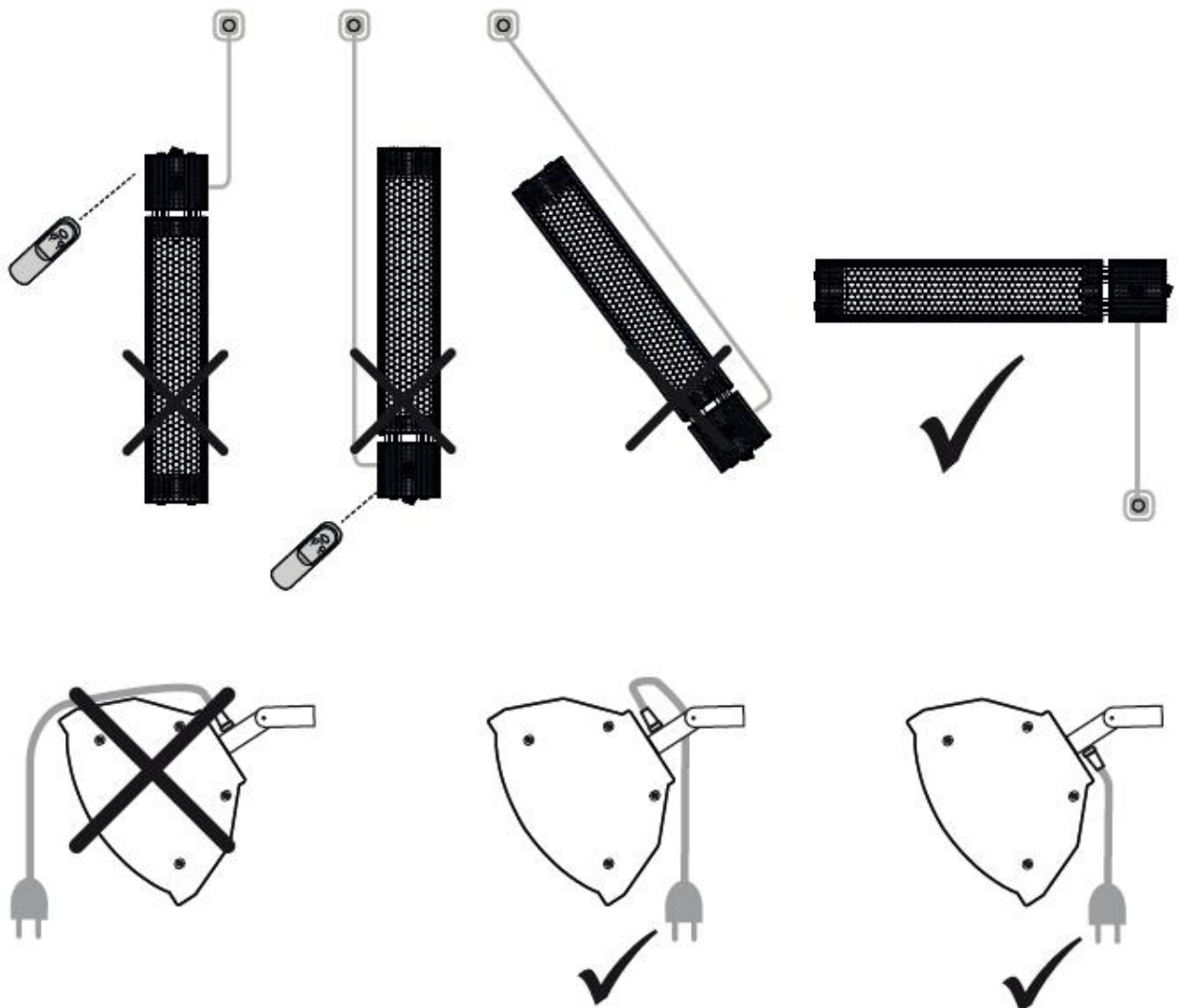
A wall mounting bracket is provide with the heater which has been specifically designed to allow this product to be fitted to a wall or ceiling before drilling the holders for the wall/ceiling is solid and that there are no hidden water pipes or electric wires. The heater must be installed no less than 16" form side walls and no less than 6" off the floor.

Important: Ensure that the supply cables is well mounted and that it does not come into contact with reflector of the heater or that is does not trail into heated area, the supply cable can be fixed to them metal mounting bracket behind heater with plastic zip ties





The heater must be installed at least 1.8 m above the floor

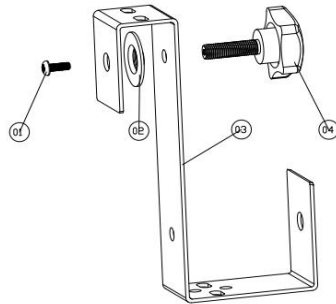


INSTALLATION WITH PARASOL –(optional)

The heater is designed to be mounted on the PARASOL or AWNING, you could use our parasol bracket for mounting. Parasol bracket (not included), you could buy it separately.

Noted: accessories are packed in parasol bracket carton box.

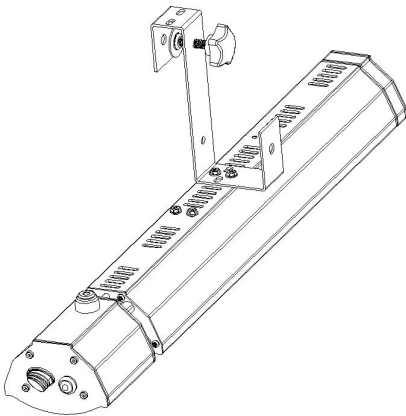
Accessories:



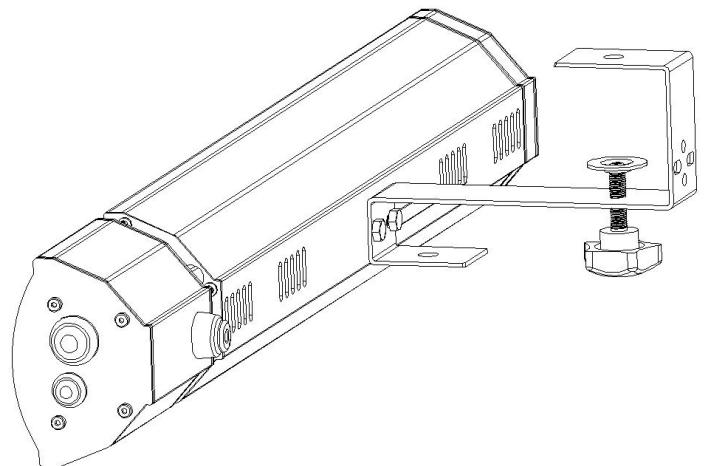
NOTES:

- NO.1 M4*12
- NO.2 WASHER
- NO.3 FIXER HOLDER
- NO.4 KONB SCREW (M8*30)

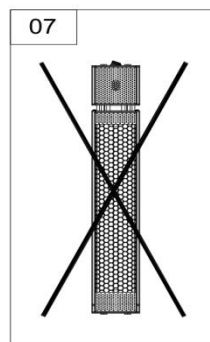
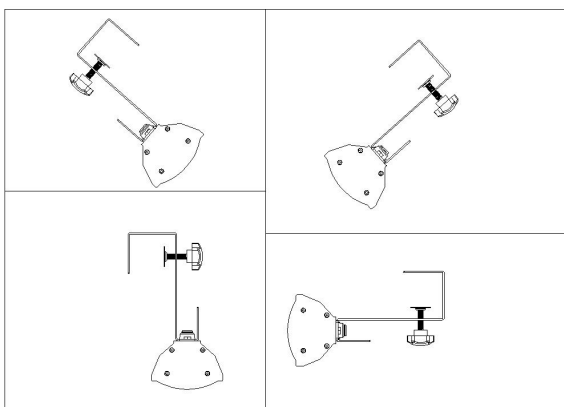
Option 1 mounting way



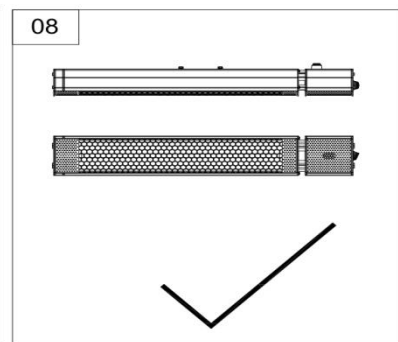
Option 2 mounting way



Different Mounting Angle



NO



OK

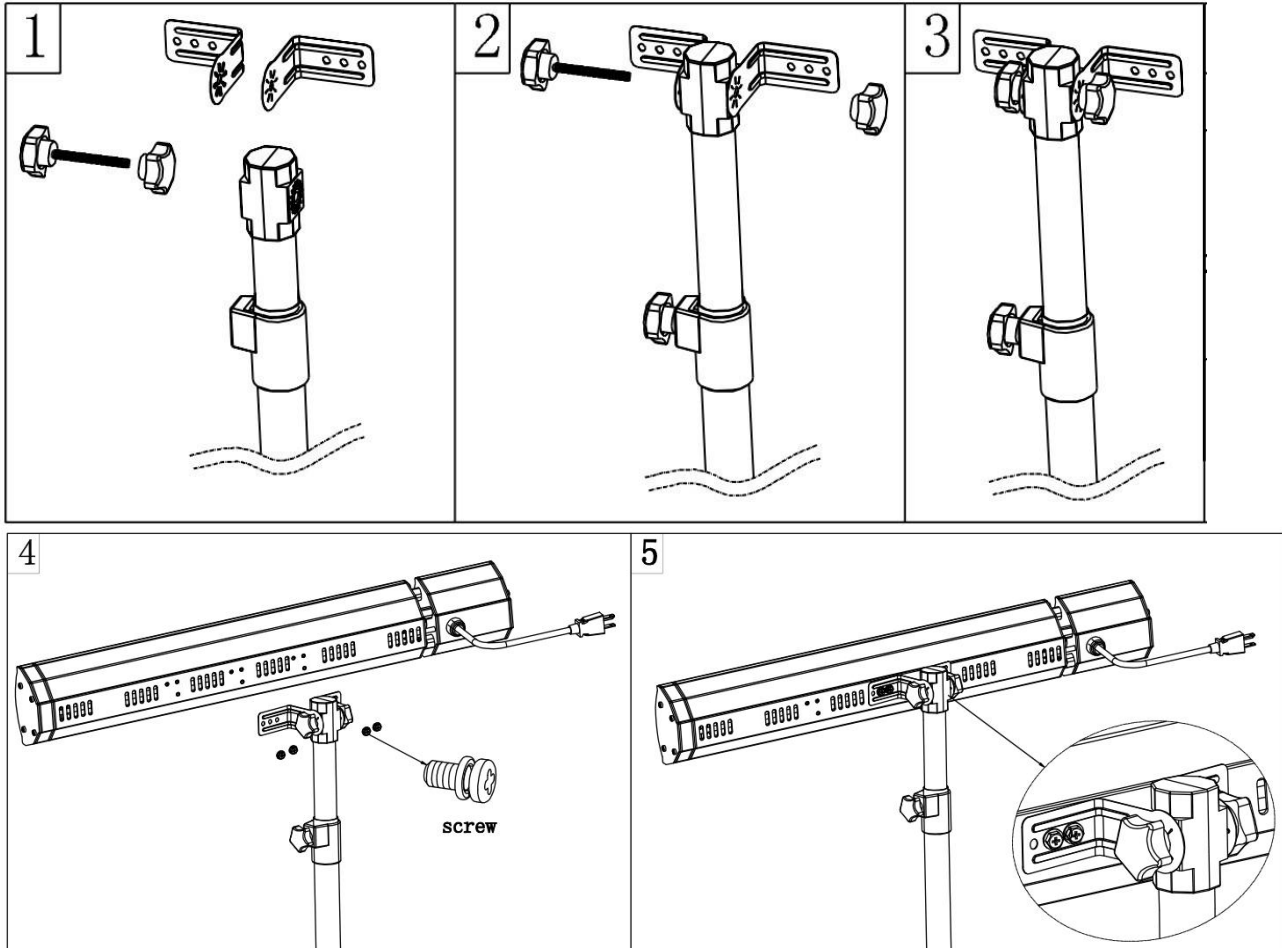
INSTALLATION WITH TRIPOD STAND-(optional)

Noted: L shape bracket packed in heater carton box

Accessories:

Screw:N5*10mm 4pcs

L shape bracket 2pcs

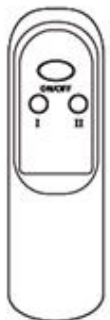


REMOTE CONTROL INSTRUCTION

OPERATING

Product Key Function:

1. Turn ON/OFF the power
2. Press key function: press the button, then press the heat levels (L1-L2-standby - off)



Remote Control Function			
Button	Function (Heater On)	Function (Heater Off)	LED Display on Heater
0	Turns heater on or off		
I	Power setting	Turns heater on to Level 1 (50%*power)	
II	Power setting	Turns heater on to Level 2 (100%*power)	

Noted: All SUNDEAR heaters and their remote controls have the same frequency, so it is possible to control several heaters with just one remote.

PUSH BUTTON: on the right of heater, it could be manual operated without remote control.

Inserting Batteries (no included)

Insert 2 AAA/ Alkaline type batteries into your remote control

1. Flip the backside of your remote control and pull out battery cover. Insert the batteries in accordance with the instructions and polarity the batteries.
2. Change the batteries in the same way depicted above.

Product data

Model	XD-Y
Voltage(V)	220-240V AC
Wattage(W)	2000W
Hertz(Hz)	50/60
Dimensions W×H×D(mm)	67.5*10.5*7.2cm
Weight(KG)	1.9KG

FUNCTION & OPERATION

1. PLUG the unit into a plug socket, make sure the power supply is the same as rated
2. PRESS the power button on the right side of heater
3. TURN ON the heater by remote control, or off the heater
4. DOWN & UP BUTTON, setting the power level

CLEANING AND MAINTENANCE

Regular and careful cleaning helps your infrared heater operate efficiently for many trouble free years. To clean your heater follow steps below

Unplug the power cord for your safety before cleaning your appliance.

1. Make sure the heater is cool before continuing
2. To keep the heater clean, the outer shell maybe cleaned with a soft, damp cloth. You may use a mild detergent if necessary. After cleaning, dry the unit with a soft cloth. (CAUTION: DO NOT let liquids enter the heater)
3. DO NOT use alcohol, gasoline, abrasive powders, furniture polish or rough brushes to clean the heater. This may cause damage or deterioration to the surface of the heater.
4. DO NOT immerse the heater in water
5. Wait until the heater is completely dry before use.

Storage: Store the heater in a cool, dry location when not in use to prevent dust and dirt build up. Use packaging carton to store.

Troubleshooting

1. If heater will not power cord is plugged into an electrical outlet, if not, plug in.
2. Check if electricity to the main fuse is working

Light display, but no heat: Bulb is damaged. Arrange for replacement bulb with local Dealer